

R Packages

Statistical Programming

Fall 2021

Dr. Colin Rundel

What are R packages?

R packages are just a collection of files (R code, compiled code, data, documentation, etc.) that live in your library path.

```
.libPaths()
```

```
## [1] "/usr/local/lib/R/4.1/site-library"      "/usr/local/Cellar/r/4.1.2/lib/R/library"
```

When you run `library(pkg)` the functions (and objects) in the package's namespace are attached to the global search path.

```
dir(.libPaths())
```

```
## [1] "abind"           "airports"       "archive"        "arrayhelpers"   "AsioHeaders"
## [6] "askpass"        "assertthat"    "av"             "available"      "backports"
## [11] "base"          "base64enc"     "BayesFactor"   "bayesplot"     "beeswarm"
## [16] "bench"         "benchmarkme"   "benchmarkmeData" "BH"            "bit"
## [21] "bit64"         "blob"          "bookdown"      "boot"           "branchMover"
## [26] "brew"          "brio"          "broom"         "broom.mixed"   "bslib"
## [31] "cachem"        "callr"         "cellranger"    "checklist"     "checkmate"
## [36] "cherryblossom" "chromote"      "chron"         "class"         "classInt"
## [41] "cli"           "clipr"         "clisymbols"    "cluster"       "cmdstanr"
## [46] "coda"          "codetools"     "collections"   "colorblindr"   "colorspace"
```

Search path

```
search()
```

```
## [1] ".GlobalEnv"      "package:stats"    "package:graphics" "package:grDevices" "package:utils"  
## [6] "package:datasets" "package:methods"  "Autoloads"        "package:base"
```

```
library(diffmatchpatch)
```

```
search()
```

```
## [1] ".GlobalEnv"      "package:diffmatchpatch" "package:stats"      "package:graphics"  
## [5] "package:grDevices" "package:utils"          "package:datasets"   "package:methods"  
## [9] "Autoloads"       "package:base"
```

Loading vs attaching

If you do not want to attach a package you can directly use functions via `::` or load it with `requireNamespace()`.

```
loadedNamespaces()
```

```
## [1] "Rcpp"          "grDevices"     "digest"        "diffmatchpatch" "R6"           "jsonlite"
## [7] "magrittr"     "evaluate"      "datasets"      "xaringan"       "stringi"      "rlang"
## [13] "utils"        "jquerylib"     "bslib"         "graphics"       "rmarkdown"    "base"
## [19] "tools"        "stringr"       "xfun"          "yaml"           "fastmap"      "compiler"
## [25] "stats"        "htmltools"    "knitr"         "methods"        "sass"
```

```
requireNamespace("forcats")
```

```
## Loading required namespace: forcats
```

```
loadedNamespaces()
```

```
## [1] "Rcpp"          "grDevices"     "digest"        "diffmatchpatch" "R6"           "jsonlite"
## [7] "magrittr"     "evaluate"      "datasets"      "xaringan"       "stringi"      "rlang"
## [13] "utils"        "jquerylib"     "bslib"         "graphics"       "rmarkdown"    "base"
## [19] "forcats"      "tools"         "stringr"       "xfun"           "yaml"         "fastmap"
## [25] "compiler"    "stats"         "htmltools"    "knitr"          "methods"      "sass"
```

```
search()
```

```
## [1] ".GlobalEnv"      "package:diffmatchpatch" "package:stats"      "package:graphics"
## [5] "package:grDevices" "package:utils"         "package:datasets"  "package:methods"
## [9] "Autoloads"       "package:base"
```

Where to R packages come from

We've already seen the two primary sources of R packages:

CRAN:

```
install.packages("diffmatchpatch")
```

GitHub:

```
remotes::install_github("rundel/diffmatchpatch")
```

there is one other method that comes up (particularly around package development), which is to install a package from local files.

Local install:

```
R CMD install diffmatchpatch_0.1.0.tar.gz
```

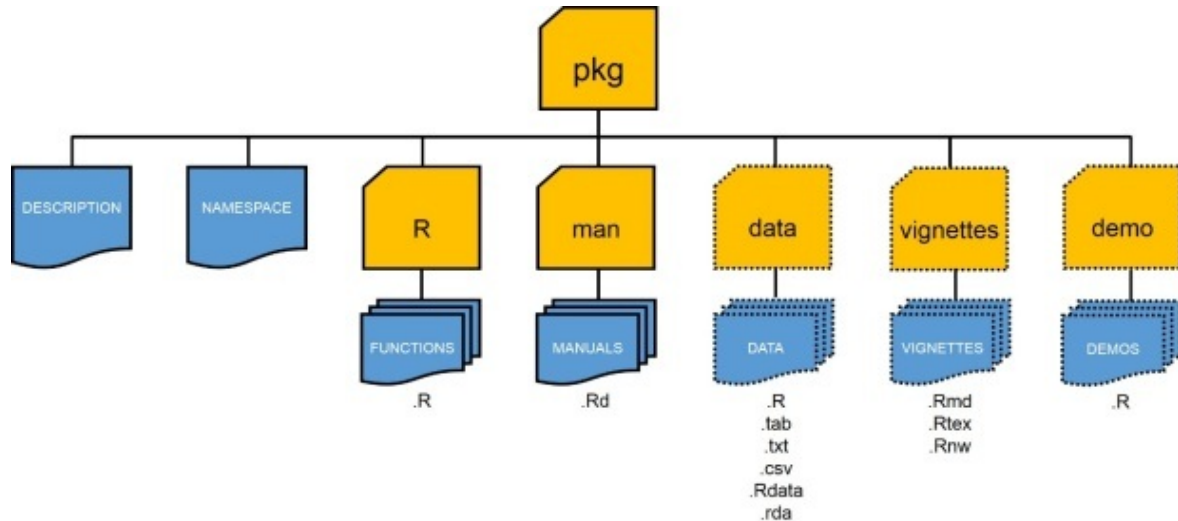
```
devtools::install("diffmatchpatch_0.1.0.tar.gz")
```

What is CRAN

It is the Comprehensive R Archive Network which is the central repository of R packages.

- Maintained by the R Foundation and run by a team of volunteers, ~22k packages
- Retains all current versions of released packages as well as archives of previous versions
- Similar in spirit to Perl's CPAN, TeX's CTAN, and Python's PyPI
- Some important features:
 - All submissions are reviewed by humans + automated checks
 - Strictly enforced submission policies and package requirements
 - All packages must be actively maintained and support upstream and downstream changes

Structure of an R Package



Core components

- DESCRIPTION - file containing package metadata (e.g. package name, description, version, license, and author details). Also specifies package dependencies,
- NAMESPACE - details which functions and objects are exported by your package
- R/ - folder containing R script files (.R)
- man/ - folder containing R documentation files (.Rd)

The following components are optional, but quite common:

- tests/ - folder contain unit tests
- src/ - folder containing code to be compiled (usually C / C++)
- data/ - folder containing example data sets (exported as .Rdata via `save()`)
- inst/ - files that will be copied to the package's top-level directory when it is installed (e.g. examples or data files that don't belong in `data/`)

Package contents

Source Package

```
fs::dir_tree("~/Desktop/Projects/diffmatchpatch/")
```

```
## ~/Desktop/Projects/diffmatchpatch/  
## |— DESCRIPTION  
## |— LICENSE.md  
## |— NAMESPACE  
## |— NEWS.md  
## |— R  
## |   |— RcppExports.R  
## |   |— diff.R  
## |   |— diffmatchpatch-package.R  
## |   |— match.R  
## |   |— options.R  
## |   |— patch.R  
## |   |— print.R  
## |— README.Rmd  
## |— README.md  
## |— cran-comments.md  
## |— diffmatchpatch.Rproj  
## |— inst  
## |   |— include  
## |   |   |— diff_match_patch.h  
## |— man  
## |   |— diff.Rd  
## |   |— dmp_options.Rd  
## |   |— match.Rd  
## |   |— patch.Rd
```

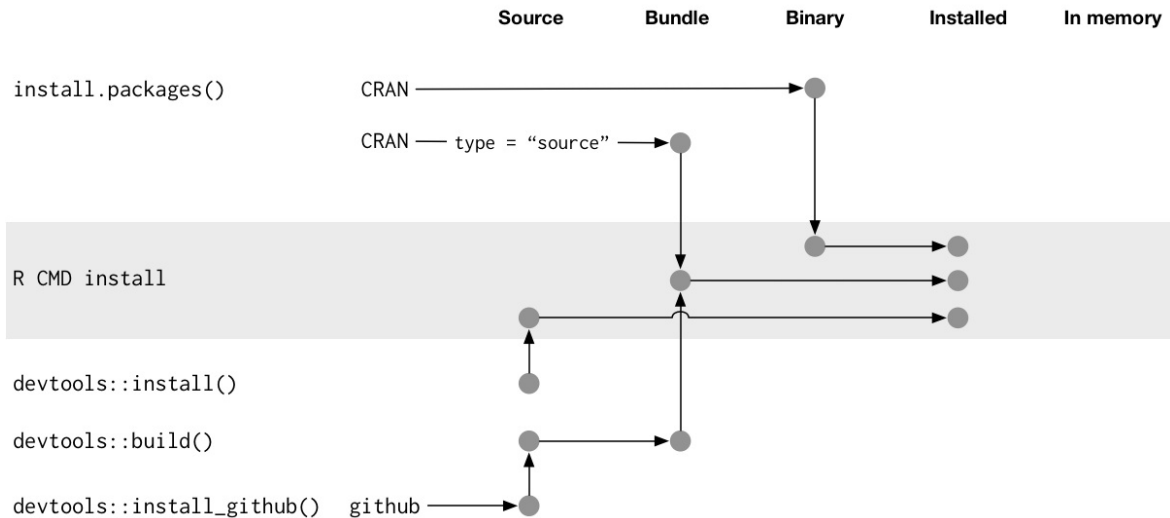
Installed Package

```
fs::dir_tree(system.file(package="diffmatchpatch"))
```

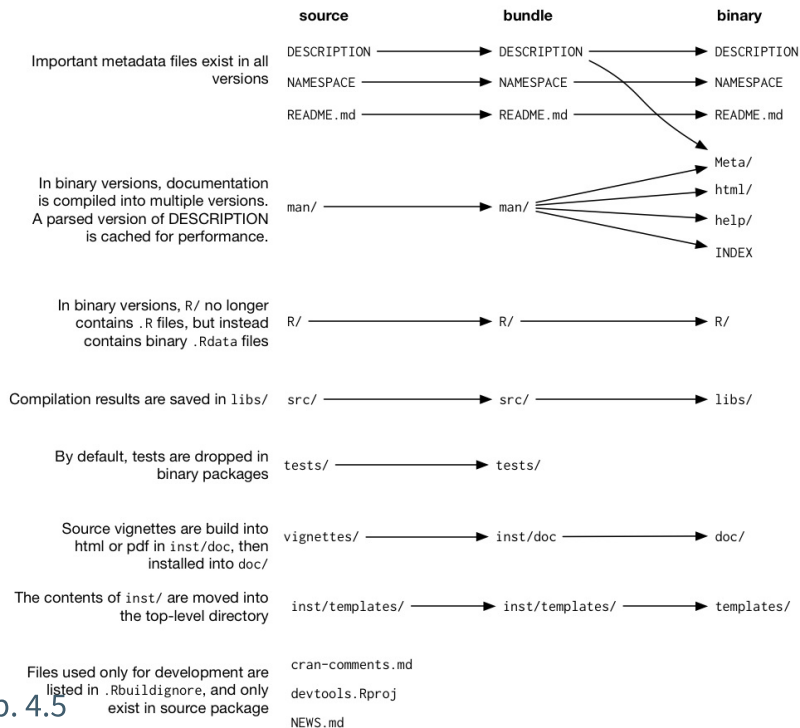
```
## /usr/local/lib/R/4.1/site-library/diffmatchpatch  
## |— DESCRIPTION  
## |— INDEX  
## |— Meta  
## |   |— Rd.rds  
## |   |— features.rds  
## |   |— hsearch.rds  
## |   |— links.rds  
## |   |— nsInfo.rds  
## |   |— package.rds  
## |— NAMESPACE  
## |— NEWS.md  
## |— R  
## |   |— diffmatchpatch  
## |   |— diffmatchpatch.rdb  
## |   |— diffmatchpatch.rdx  
## |— help  
## |   |— AnIndex  
## |   |— aliases.rds  
## |   |— diffmatchpatch.rdb  
## |   |— diffmatchpatch.rdx  
## |   |— paths.rds  
## |— html  
## |   |— 00Index.html  
## |   |— R.css
```

A deeper dive on diffmatchpatch

Package Installation



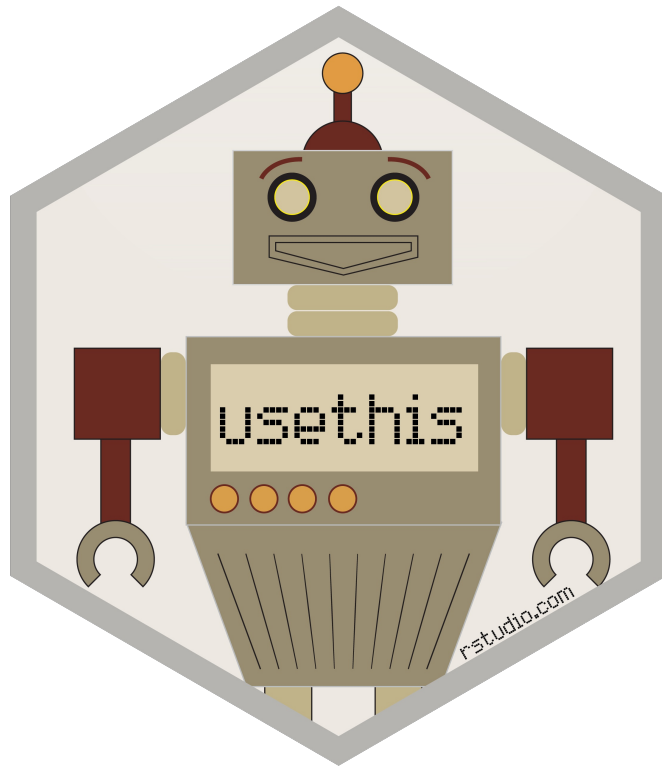
Package Installion - Files



Package development

What follows is an opinionated introduction to package development,

- this is not the only way to do thing (none of the following are required)
- I would strongly recommend using:
 - RStudio
 - RStudio projects
 - GitHub
 - usethis
 - roxygen2



usethis

This is an immensely useful package for automating all kinds of routine (and tedious) tasks within R

- Tools for managing git and GitHub configuration
- Tools for managing collaboration on GitHub via pull requests (see `pr_*()`)
- Tools for creating and configuring packages
- Tools for configuring your R environment (e.g. `.Rprofile` and `.Renviron`)
- and much much more

Live demo - Building a Package